

F-SERIES BODY INSTALLATION REGULAR CAB DOOR OPENING PANEL - SERVICE KIT INSTRUCTIONS

KIT		
Part Number	Description	Quantity
FL34-15211A10-AK	Regular Cab Front Door Opening (RH)	1
SKFL34-15211A10-AB	Instruction Sheet	1

KIT		
Part Number	Description	Quantity
FL34-15211A11-AK	Regular Cab Front Door Opening (LH)	1
SKFL34-15211A10-AB	Instruction Sheet	1

NOT INCLUDED IN KIT (PROCURE LOCALLY)		
Part Number	Description	Quantity
W707638-S900C	Blind Rivet	14
W708777-S900C	Blind Rivet	15
W702554-S900C	Blind Rivet	2
W790376-S900	Solid Rivet	18
W790377-S900	Solid Rivet	59
W708713-S900	Self-Piercing Rivet (SPR) Code AS	46
W708717-S900	Self-Piercing Rivet (SPR) Code AW	6
W710246-S900	Self-Piercing Rivet (SPR) Code BN	1
W717186-S900	Self-Piercing Rivet (SPR) Code EN	43
W717185-S900	Self-Piercing Rivet (SPR) Code EL	3
Motorcraft TA-1, 3M 8115 or Fusor 108B	Metal Panel Bonding Adhesive	1

SKFL34-15211A10-AB

SHEET 1 OF 5



SERVICE GUIDELINES:

- Aluminum repairs should be performed in an area protected from steel working areas, and tools used in aluminum repair should be quarantined from steel repair tools.
- Replacement Self-Piercing Rivets (SPRs) are the preferred replacement during repair for original SPR locations, where feasible. Blind rivets are the next preferred replacement for original SPRs. In some cases, solid rivets may also be used as a replacement for SPRs. The figures will explicitly call out which rivets are possible.
- Replacement SPRs are to be installed adjacent to original SPR location.

NOTE: Do not install replacement SPR in original SPR hole.

- Blind rivets may be installed in original SPR holes, after they are reamed out to 6.5mm. Be sure to grind all surfaces of the flange smooth prior to blind rivet installation in original SPR locations.
- Flow Drill Screws (FDS) are to be replaced by blind rivets only. The original location of the FDS is used, but reamed out to 6.5mm.
- Rivets may be removed by drilling, grinding, or SPR gun set up as a rivet removal tool.
- Using heat (not exceeding 425 °F) to loosen a rivet bonded panel should only be done when all panels in the joint will be replaced or separated and new adhesive applied.
- Flange preparation for adhesive is to grind to clean metal with 80-120 grit, clean, and then apply the adhesive, spreading it out with an acid brush, covering any exposed aluminum.
- Clecos are an excellent way to hold the panels into position when fitting and drilling rivet holes.



FIGURE 1 RIVET LOCATIONS

SQUARED NUMBERS ARE PRO SPOT MANDRELS	
①	SA-0400/SA-0401
②	SA-0400/SA-0402
CIRCLED NUMBERS ARE SOLID RIVETS	
①	W790376-S900
②	W790377-S900

NOTE: RIVETS HERE MUST ALTERNATE WITH RIVETS BETWEEN C PILLAR INNER AND OUTER.

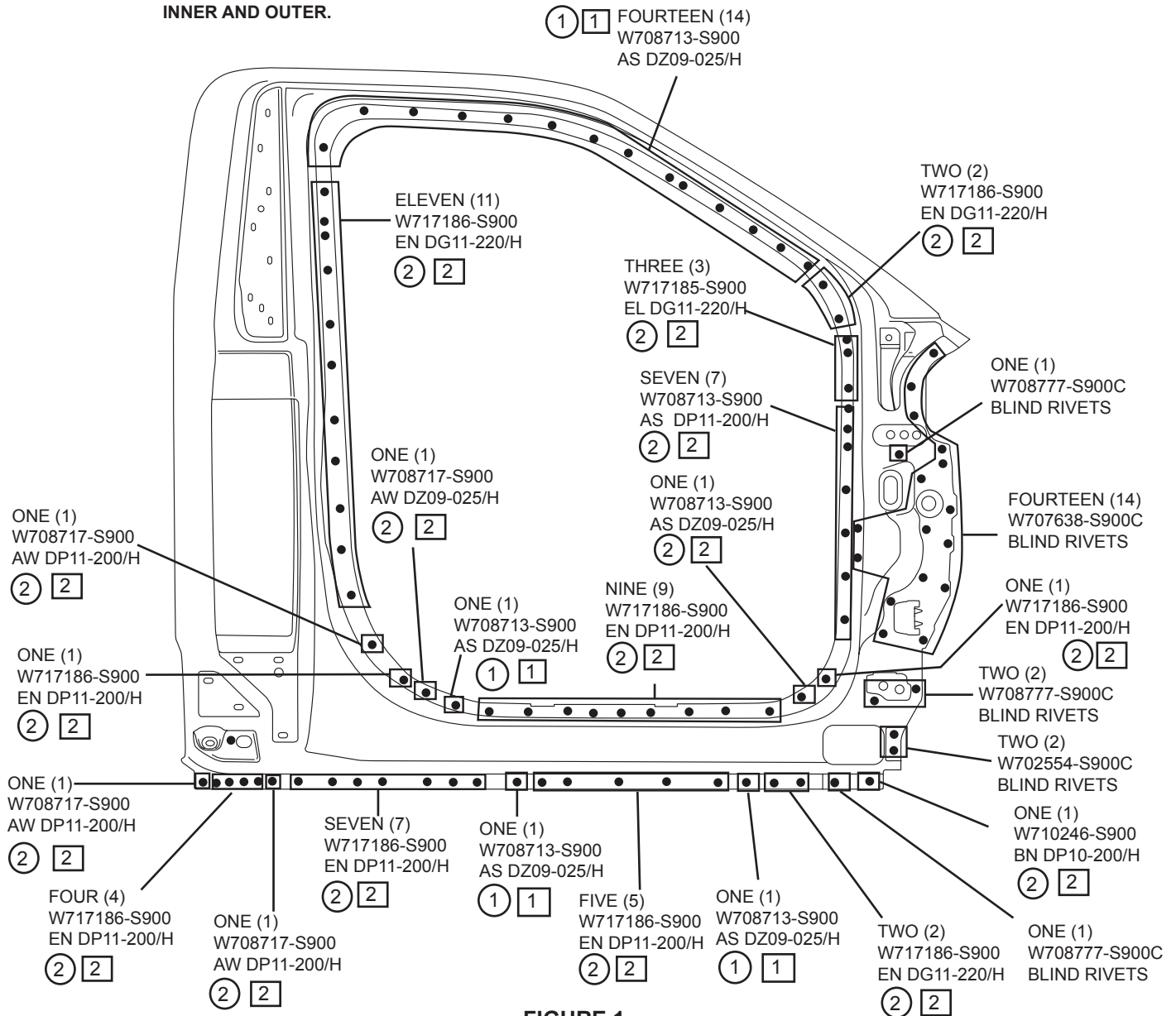


FIGURE 1



FIGURE 2 RIVET LOCATIONS

SQUARED NUMBERS ARE PRO SPOT MANDRELS	
1	SA-0400/SA-0401
2	SA-0400/SA-0402
CIRCLED NUMBERS ARE SOLID RIVETS	
①	W790376-S900
②	W790377-S900

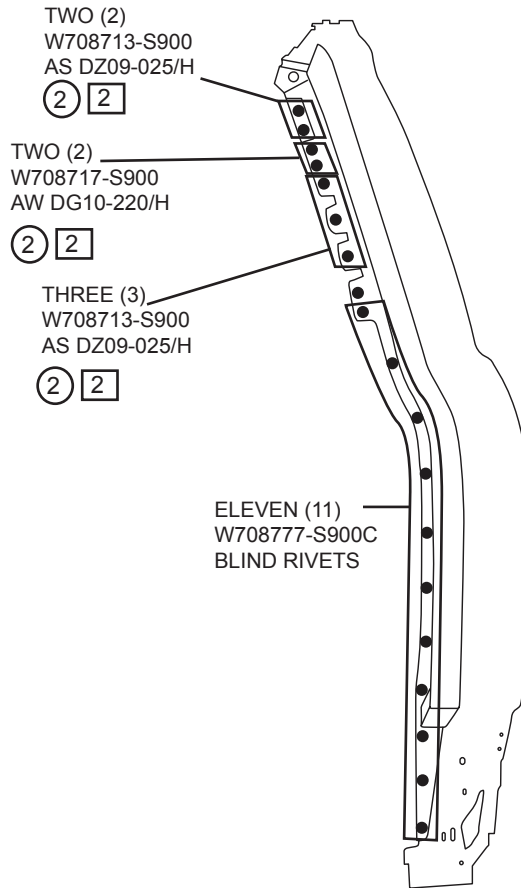


FIGURE 2

FIGURE 3 RIVET LOCATIONS

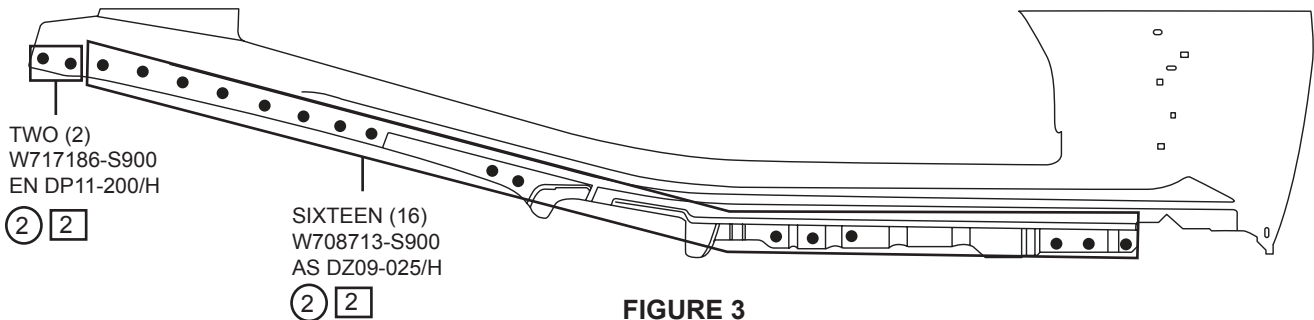


FIGURE 3

SKFL34-15211A10-AB

SHEET 4 OF 5



- (Refer to Figure 4) for location for adhesive material.

NOTE: The location of SPR and adhesive shown below are based on the original production drawings and should only be used as a guideline. (Refer to Figure 4).

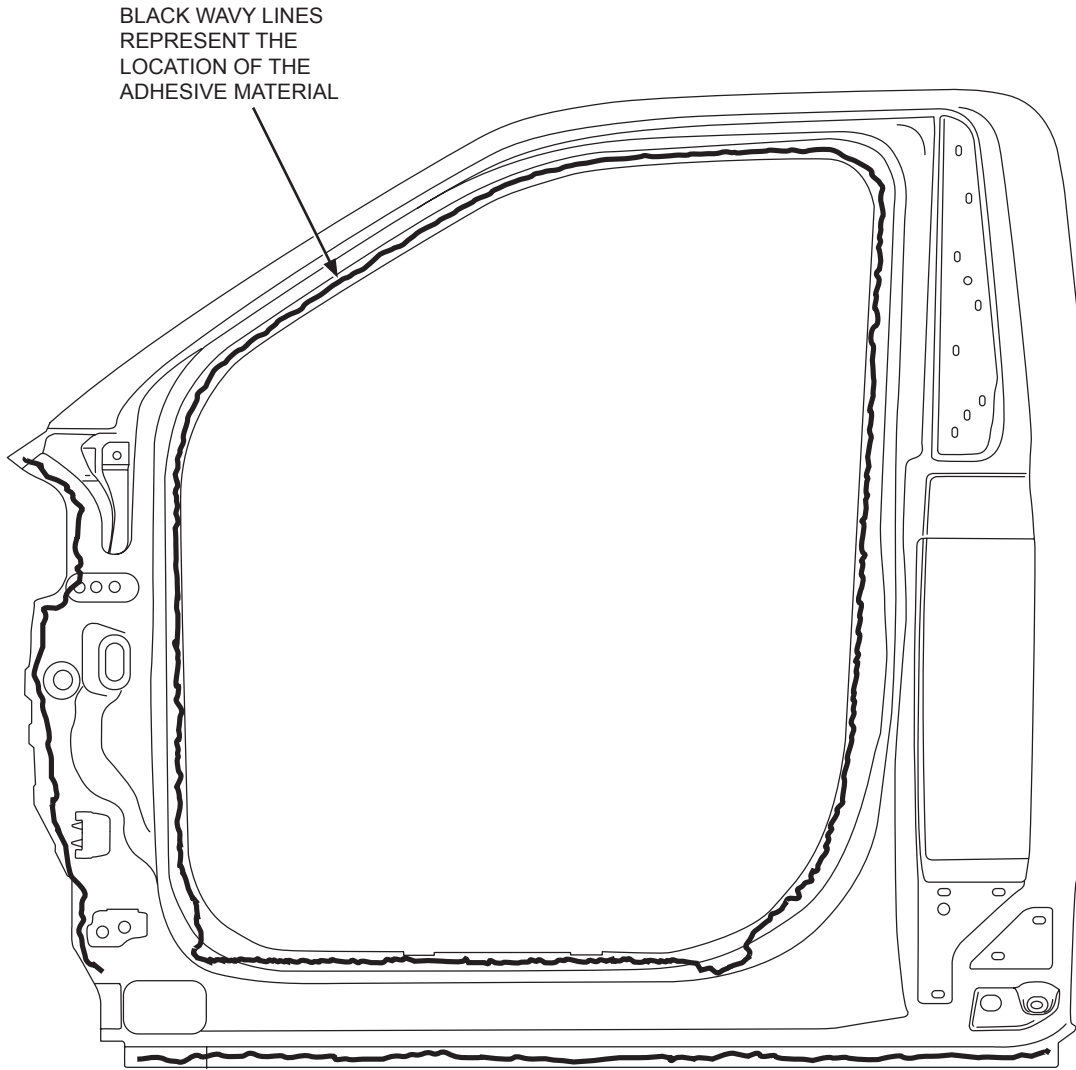


FIGURE 4



CPR © 2014 FORD MOTOR COMPANY
DEARBORN, MICHIGAN 48121
11-14

SKFL34-15211A10-AB

SHEET 5 OF 5

**F-SERIES BODY INSTALLATION FOR
REGULAR CAB DOOR OPENING PANEL -
SERVICE KIT INSTRUCTIONS**